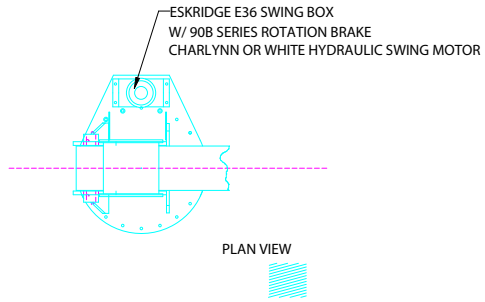
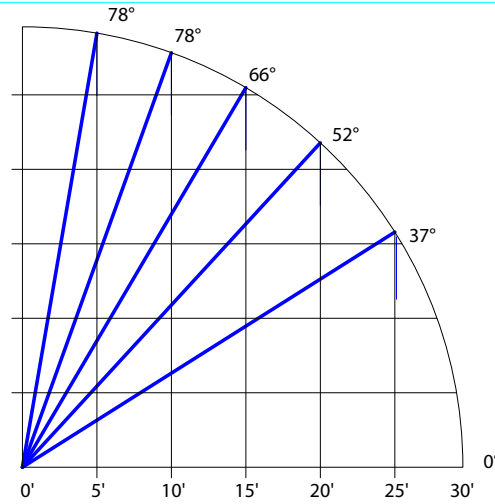


CRANE MODEL CSB 10-30

MAXIMUM OVERTURNING MOMENT: 350,600 FT-LBS
 MAXIMUM VERTICAL REACTION: 49,490 LBS.
 TOTAL WEIGHT: 8,500 LBS. APPROX.

COASTAL HYDRAULIC CRANES, INC.

HOUSTON, TEXAS



REACH (FEET)	5	10	15	20	25	30
STATIC LOAD (LBS.)	20,000	12,000	10,500	8,900	7,800	6,800

NOTE: THE ABOVE RATED LOADS DO NOT INCLUDE WEIGHTS OF HOOKS, BALL ETC... TO OBTAIN SWL THESE WEIGHTS HAVE TO BE DEDUCTED FROM THE ABOVE VALUES.

WINCH CAPACITY: 7,500 LBS. (BARE DRUM)

WIRE ROPE CAPACITY: 5,320 LBS.

ALL LIFTS ABOVE 5,320 LBS. REQUIRE 2 OR 3 PARTS OF LINE.

!! WARNING !! DO NOT LOAD BEYOND ITS RATED CAPACITY !!

