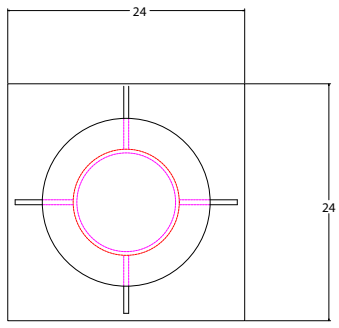


PLAN VIEW

550 LBS.[250 KGS] @ 8'-10"[2.7M](W/4.5 S.F.)  
 APPROX.WT. = 700 LBS.  
 MAX. OTM = 12,590 FT-LBS  
 MAX. VERTICAL LOAD = 1,800 LBS.



SQUARE BASE PLATE

MAIN ELEVATION

PED BEARING PLATE

15/  
13116